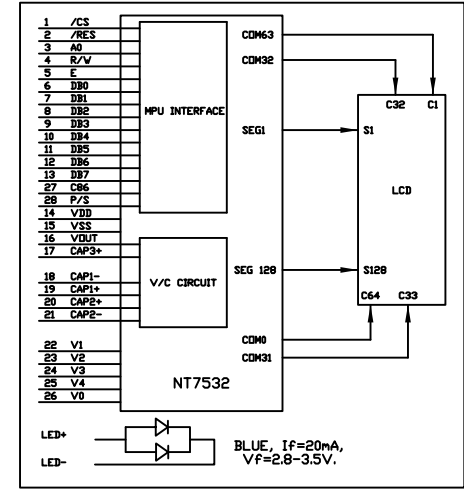


INTERFACE PIN TABLE			
PIN	SYMBOL	LEVEL	FUNCTION
1	/CS	-	CHIP SELECT INPUT
2	/RES	-	HARDWARE RESET INPUT
3	A0		DISPLAY/CONTROL DATA
4	R/W	H/L	READ/WRITE EXECUTION CONTROL
5	E	H/L	ENABLE
6	DB0	H/L	8-BIT DATA BUS
7	DB1		
8	DB2		
9	DB3		
10	DB4		
11	DB5		
12	DB6		
13	DB7		
14	VDD	-	POWER SUPPLY FOR LOGIC (3.0 V)
15	VSS	-	GND
16	VOUT	-	VOLTAGE CONVERTER OUTPUT
17	CAP3+	-	CAP 3+ CONNECT FOR INTERNAL VOLTAGE CONVERTER
18	CAP1-	-	CAP 1- CONNECT FOR INTERNAL VOLTAGE CONVERTER
19	CAP1+	-	CAP 1+ CONNECT FOR INTERNAL VOLTAGE CONVERTER
20	CAP2+	-	CAP 2+ CONNECT FOR INTERNAL VOLTAGE CONVERTER
21	CAP2-	-	CAP 2- CONNECT FOR INTERNAL VOLTAGE CONVERTER
22	V1	-	LCD DRIVER SUPPLY VOLTAGE
23	V2	-	
24	V3	-	
25	V4	-	
26	V0	-	
27	CB6	-	SELECT 6800 / 8080 FAMILY TYPE INTERFACE
28	P/S	-	SELECT PARALLEL / SERIAL INTERFACE



REGULAR FCA4168-02